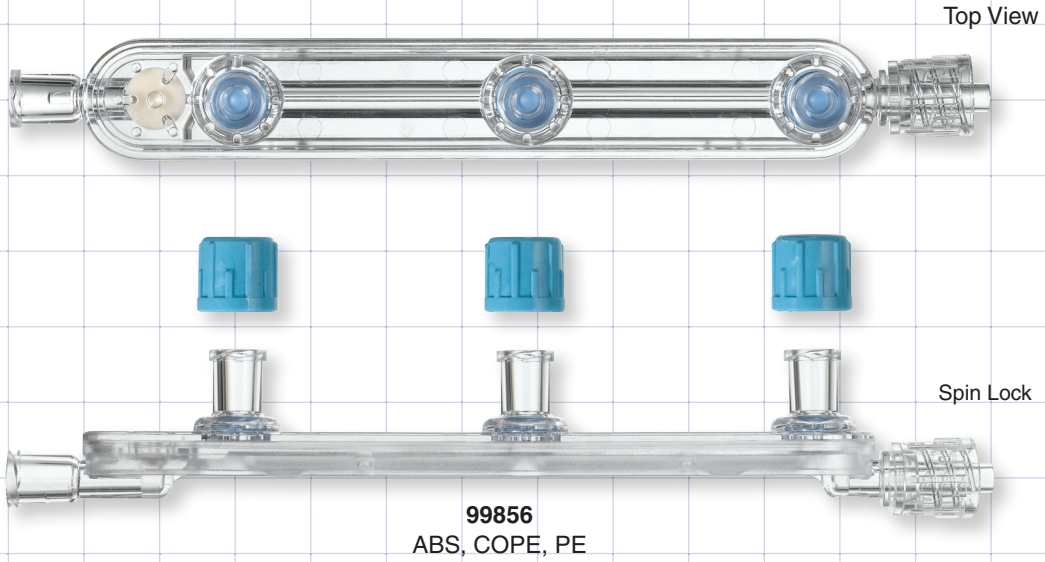




3 Port Manifold with Back Check Valve



4 Port Manifold

