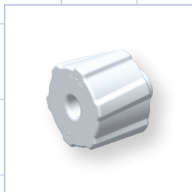
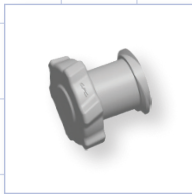
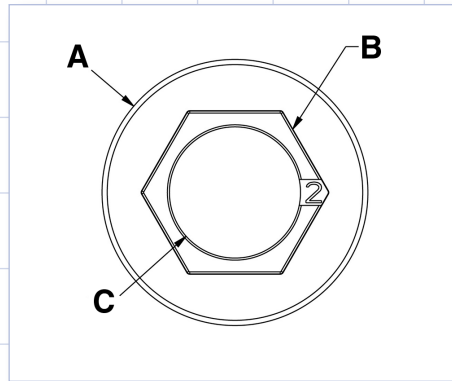


Caps and Plugs

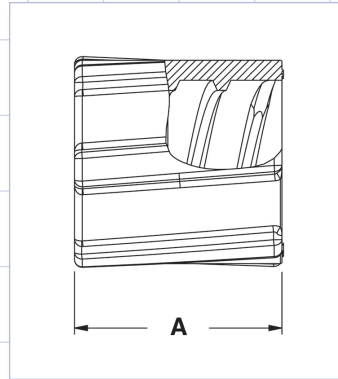


Part Number	Description	A	Material
<b>LCAP</b>	Female Luer Lock Cap, Natural	0.36 inch (9.1 mm)	PP
<b>LCAP30</b>	Female Luer Lock Cap, White	0.36 inch (9.1 mm)	Nylon
<b>LCAP31</b>	Female Luer Lock Cap, Black	0.36 inch (9.1 mm)	Nylon
<b>LPLUG</b>	Male Luer Lock Cap, Natural	0.4 inch (10.2 mm)	PP
<b>LPLUG30</b>	Male Luer Lock Cap, White	0.4 inch (10.2 mm)	Nylon
<b>LPLUG31</b>	Male Luer Lock Cap, Black	0.4 inch (10.2 mm)	Nylon



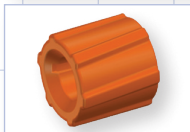
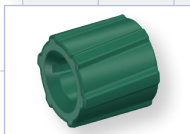
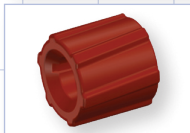
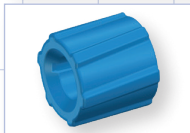
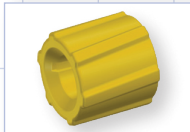
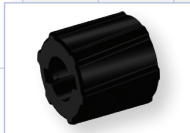
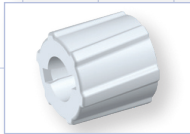
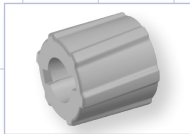
Color Coded Rings

	Part Number	Description	A	B	C	Material
	PMRL	Ring, Color Coded, Natural	0.51 inch (13 mm)	0.31 inch (7.9 mm)	0.25 inch (6.4 mm)	PP
	PMRL30	Ring, Color Coded, White	0.51 inch (13 mm)	0.31 inch (7.9 mm)	0.25 inch (6.4 mm)	Nylon
	PMRL31	Ring, Color Coded, Black	0.51 inch (13 mm)	0.31 inch (7.9 mm)	0.25 inch (6.4 mm)	Nylon
	PMRL32	Ring, Color Coded, Yellow	0.51 inch (13 mm)	0.31 inch (7.9 mm)	0.25 inch (6.4 mm)	Nylon
	PMRL33	Ring, Color Coded, Blue	0.51 inch (13 mm)	0.31 inch (7.9 mm)	0.25 inch (6.4 mm)	Nylon
	PMRL34	Ring, Color Coded, Red	0.51 inch (13 mm)	0.31 inch (7.9 mm)	0.25 inch (6.4 mm)	Nylon
	PMRL35	Ring, Color Coded, Green	0.51 inch (13 mm)	0.31 inch (7.9 mm)	0.25 inch (6.4 mm)	Nylon
	PMRL36	Ring, Color Coded, Orange	0.51 inch (13 mm)	0.31 inch (7.9 mm)	0.25 inch (6.4 mm)	Nylon

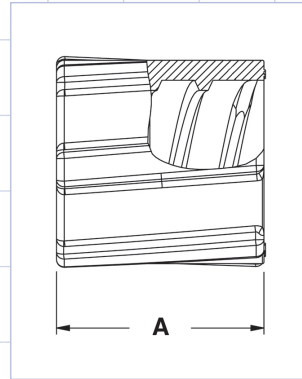


Convert your Male Luer Slip  
to a Male Luer Lock

Fixed Lock Rings

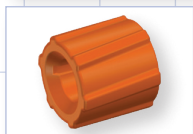
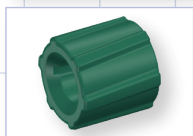
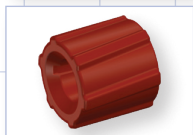
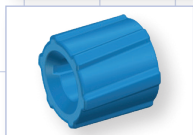
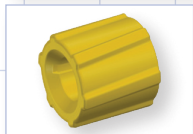
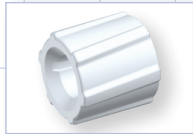
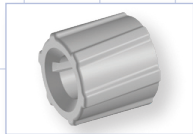


Part Number	Description	A	Material
LMSL	Fixed Lock Ring, Natural	0.4 inch (10.2 mm)	PP
LMSL30	Fixed Lock Ring, White	0.4 inch (10.2 mm)	Nylon
LMSL31	Fixed Lock Ring, Black	0.4 inch (10.2 mm)	Nylon
LMSL32	Fixed Lock Ring, Yellow	0.4 inch (10.2 mm)	Nylon
LMSL33	Fixed Lock Ring, Blue	0.4 inch (10.2 mm)	Nylon
LMSL34	Fixed Lock Ring, Red	0.4 inch (10.2 mm)	Nylon
LMSL35	Fixed Lock Ring, Green	0.4 inch (10.2 mm)	Nylon
LMSL36	Fixed Lock Ring, Orange	0.4 inch (10.2 mm)	Nylon



Convert your Male Luer Slip  
to a Male Luer Lock

Spin Lock Rings



Part Number	Description	A	Material
LMSR	Spin Lock Ring, Natural	0.4 inch (10.2 mm)	PP
LMSR30	Spin Lock Ring, White	0.4 inch (10.2 mm)	Nylon
LMSR31	Spin Lock Ring, Black	0.4 inch (10.2 mm)	Nylon
LMSR32	Spin Lock Ring, Yellow	0.4 inch (10.2 mm)	Nylon
LMSR33	Spin Lock Ring, Blue	0.4 inch (10.2 mm)	Nylon
LMSR34	Spin Lock Ring, Red	0.4 inch (10.2 mm)	Nylon
LMSR35	Spin Lock Ring, Green	0.4 inch (10.2 mm)	Nylon
LMSR36	Spin Lock Ring, Orange	0.4 inch (10.2 mm)	Nylon