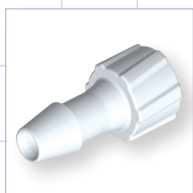
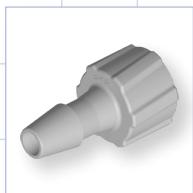
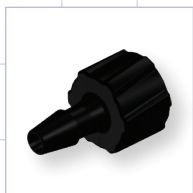
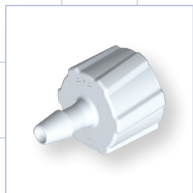
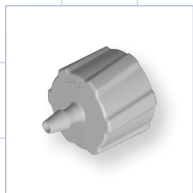
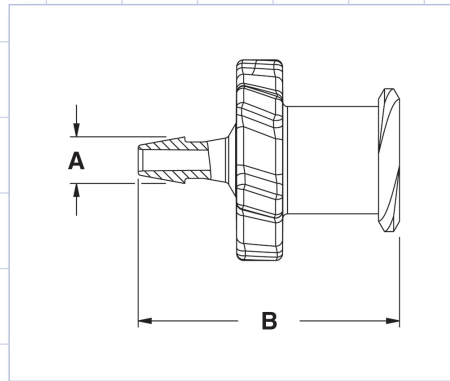


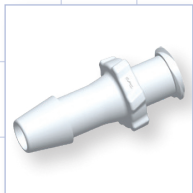
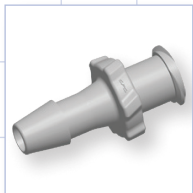
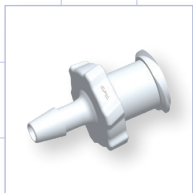
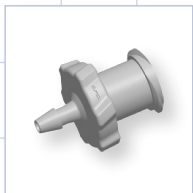
Male Luer Lock



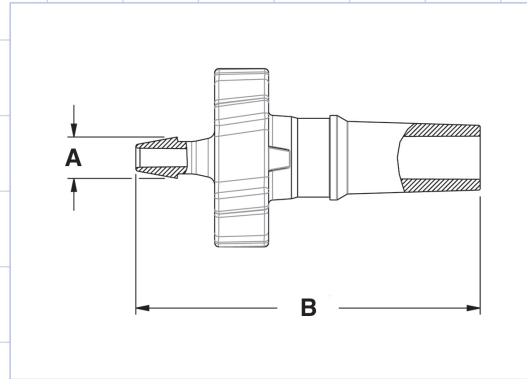
Part Number	Description	Tubing Size	A	B	Material
LM21	Male Luer Lock to Barb, Natural	Fits 1/16 inch ID Tubing (0.062 inch, 1.5 mm)	0.1 inch (2.5 mm)	0.56 inch (14.2 mm)	PP
LM2130	Male Luer Lock to Barb, White	Fits 1/16 inch ID Tubing (0.062 inch, 1.5 mm)	0.1 inch (2.5 mm)	0.56 inch (14.2 mm)	Nylon
LM2131	Male Luer Lock to Barb, Black	Fits 1/16 inch ID Tubing (0.062 inch, 1.5 mm)	0.1 inch (2.5 mm)	0.56 inch (14.2 mm)	Nylon
LM31	Male Luer Lock to Barb, Natural	Fits 3/32 inch ID Tubing (0.093 inch, 2.4 mm)	0.14 inch (3.6 mm)	0.66 inch (16.8 mm)	PP
LM3130	Male Luer Lock to Barb, White	Fits 3/32 inch ID Tubing (0.093 inch, 2.4 mm)	0.14 inch (3.6 mm)	0.66 inch (16.8 mm)	Nylon
LM3131	Male Luer Lock to Barb, Black	Fits 3/32 inch ID Tubing (0.093 inch, 2.4 mm)	0.14 inch (3.6 mm)	0.66 inch (16.8 mm)	Nylon
LM41	Male Luer Lock to Barb, Natural	Fits 1/8 inch ID Tubing (0.125 inch, 3.2 mm)	0.19 inch (4.8 mm)	0.76 inch (19.3 mm)	PP
LM4130	Male Luer Lock to Barb, White	Fits 1/8 inch ID Tubing (0.125 inch, 3.2 mm)	0.19 inch (4.8 mm)	0.76 inch (19.3 mm)	Nylon
LM4131	Male Luer Lock to Barb, Black	Fits 1/8 inch ID Tubing (0.125 inch, 3.2 mm)	0.19 inch (4.8 mm)	0.76 inch (19.3 mm)	Nylon
LM51	Male Luer Lock to Barb, Natural	Fits 5/32 inch ID Tubing (0.156 inch, 3.9 mm)	0.23 inch (5.8 mm)	0.85 inch (21.6 mm)	PP
LM5130	Male Luer Lock to Barb, White	Fits 5/32 inch ID Tubing (0.156 inch, 3.9 mm)	0.23 inch (5.8 mm)	0.85 inch (21.6 mm)	Nylon
LM5131	Male Luer Lock to Barb, Black	Fits 5/32 inch ID Tubing (0.156 inch, 3.9 mm)	0.23 inch (5.8 mm)	0.85 inch (21.6 mm)	Nylon
LM61	Male Luer Lock to Barb, Natural	Fits 3/16 inch ID Tubing (0.187 inch, 4.7 mm)	0.28 inch (7.1 mm)	0.95 inch (24.1 mm)	PP
LM6130	Male Luer Lock to Barb, White	Fits 3/16 inch ID Tubing (0.187 inch, 4.7 mm)	0.28 inch (7.1 mm)	0.95 inch (24.1 mm)	Nylon
LM6131	Male Luer Lock to Barb, Black	Fits 3/16 inch ID Tubing (0.187 inch, 4.7 mm)	0.28 inch (7.1 mm)	0.95 inch (24.1 mm)	Nylon



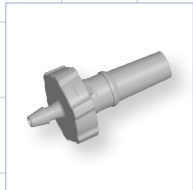
Female Luer Lock



Part Number	Description	Tubing Size	A	B	Material
LF21	Female Luer Lock to Barb, Natural	Fits 1/16 inch ID Tubing (0.062 inch, 1.5 mm)	0.1 inch (2.5 mm)	0.56 inch (14.2 mm)	PP
LF2130	Female Luer Lock to Barb, White	Fits 1/16 inch ID Tubing (0.062 inch, 1.5 mm)	0.1 inch (2.5 mm)	0.56 inch (14.2 mm)	Nylon
LF2131	Female Luer Lock to Barb, Black	Fits 1/16 inch ID Tubing (0.062 inch, 1.5 mm)	0.1 inch (2.5 mm)	0.56 inch (14.2 mm)	Nylon
LF31	Female Luer Lock to Barb, Natural	Fits 3/32 inch ID Tubing (0.093 inch, 2.4 mm)	0.14 inch (3.6 mm)	0.64 inch (16.3 mm)	PP
LF3130	Female Luer Lock to Barb, White	Fits 3/32 inch ID Tubing (0.093 inch, 2.4 mm)	0.14 inch (3.6 mm)	0.64 inch (16.3 mm)	Nylon
LF3131	Female Luer Lock to Barb, Black	Fits 3/32 inch ID Tubing (0.093 inch, 2.4 mm)	0.14 inch (3.6 mm)	0.64 inch (16.3 mm)	Nylon
LF41	Female Luer Lock to Barb, Natural	Fits 1/8 inch ID Tubing (0.125 inch, 3.2 mm)	0.19 inch (4.8 mm)	0.74 inch (18.8 mm)	PP
LF4130	Female Luer Lock to Barb, White	Fits 1/8 inch ID Tubing (0.125 inch, 3.2 mm)	0.19 inch (4.8 mm)	0.74 inch (18.8 mm)	Nylon
LF4131	Female Luer Lock to Barb, Black	Fits 1/8 inch ID Tubing (0.125 inch, 3.2 mm)	0.19 inch (4.8 mm)	0.74 inch (18.8 mm)	Nylon
LF51	Female Luer Lock to Barb, Natural	Fits 5/32 inch ID Tubing (0.156 inch, 3.9 mm)	0.23 inch (5.8 mm)	0.83 inch (21.1 mm)	PP
LF5130	Female Luer Lock to Barb, White	Fits 5/32 inch ID Tubing (0.156 inch, 3.9 mm)	0.23 inch (5.8 mm)	0.83 inch (21.1 mm)	Nylon
LF5131	Female Luer Lock to Barb, Black	Fits 5/32 inch ID Tubing (0.156 inch, 3.9 mm)	0.23 inch (5.8 mm)	0.83 inch (21.1 mm)	Nylon
LF61	Female Luer Lock to Barb, Natural	Fits 3/16 inch ID Tubing (0.187 inch, 4.7 mm)	0.28 inch (7.1 mm)	0.93 inch (23.6 mm)	PP
LF6130	Female Luer Lock to Barb, White	Fits 3/16 inch ID Tubing (0.187 inch, 4.7 mm)	0.28 inch (7.1 mm)	0.93 inch (23.6 mm)	Nylon
LF6131	Female Luer Lock to Barb, Black	Fits 3/16 inch ID Tubing (0.187 inch, 4.7 mm)	0.28 inch (7.1 mm)	0.93 inch (23.6 mm)	Nylon



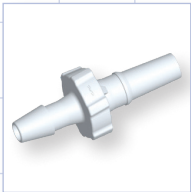
Male Luer Slip



Part Number	Description	Tubing Size	A	B	Material
SLM21	Male Luer Slip to Barb, Natural	Fits 1/16 inch ID Tubing (0.062 inch, 1.5 mm)	0.1 inch (2.5 mm)	0.83 inch (21.1 mm)	PP
SLM2130	Male Luer Slip to Barb, White	Fits 1/16 inch ID Tubing (0.062 inch, 1.5 mm)	0.1 inch (2.5 mm)	0.83 inch (21.1 mm)	Nylon
SLM2131	Male Luer Slip to Barb, Black	Fits 1/16 inch ID Tubing (0.062 inch, 1.5 mm)	0.1 inch (2.5 mm)	0.83 inch (21.1 mm)	Nylon
SLM31	Male Luer Slip to Barb, Natural	Fits 3/32 inch ID Tubing (0.093 inch, 2.4 mm)	0.14 inch (3.6 mm)	0.93 inch (23.6 mm)	PP
SLM3130	Male Luer Slip to Barb, White	Fits 3/32 inch ID Tubing (0.093 inch, 2.4 mm)	0.14 inch (3.6 mm)	0.93 inch (23.6 mm)	Nylon
SLM3131	Male Luer Slip to Barb, Black	Fits 3/32 inch ID Tubing (0.093 inch, 2.4 mm)	0.14 inch (3.6 mm)	0.93 inch (23.6 mm)	Nylon



Male Luer Slip



Part Number	Description	Tubing Size	A	B	Material
SLM41	Male Luer Slip to Barb, Natural	Fits 1/8 inch ID Tubing (0.125 inch, 3.2 mm)	0.19 inch (4.8 mm)	1.03 inch (26.2 mm)	PP
SLM4130	Male Luer Slip to Barb, White	Fits 1/8 inch ID Tubing (0.125 inch, 3.2 mm)	0.19 inch (4.8 mm)	1.03 inch (26.2 mm)	Nylon
SLM4131	Male Luer Slip to Barb, Black	Fits 1/8 inch ID Tubing (0.125 inch, 3.2 mm)	0.19 inch (4.8 mm)	1.03 inch (26.2 mm)	Nylon
SLM51	Male Luer Slip to Barb, Natural	Fits 5/32 inch ID Tubing (0.156 inch, 3.9 mm)	0.23 inch (5.8 mm)	1.12 inch (28.4 mm)	PP
SLM5130	Male Luer Slip to Barb, White	Fits 5/32 inch ID Tubing (0.156 inch, 3.9 mm)	0.23 inch (5.8 mm)	1.12 inch (28.4 mm)	Nylon
SLM5131	Male Luer Slip to Barb, Black	Fits 5/32 inch ID Tubing (0.156 inch, 3.9 mm)	0.23 inch (5.8 mm)	1.12 inch (28.4 mm)	Nylon
SLM61	Male Luer Slip to Barb, Natural	Fits 3/16 inch ID Tubing (0.187 inch, 4.7 mm)	0.28 inch (7.1 mm)	1.22 inch (31 mm)	PP
SLM6130	Male Luer Slip to Barb, White	Fits 3/16 inch ID Tubing (0.187 inch, 4.7 mm)	0.28 inch (7.1 mm)	1.22 inch (31 mm)	Nylon
SLM6131	Male Luer Slip to Barb, Black	Fits 3/16 inch ID Tubing (0.187 inch, 4.7 mm)	0.28 inch (7.1 mm)	1.22 inch (31 mm)	Nylon

