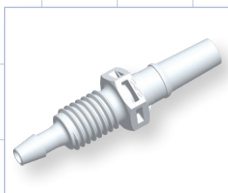
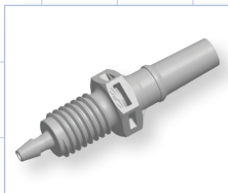
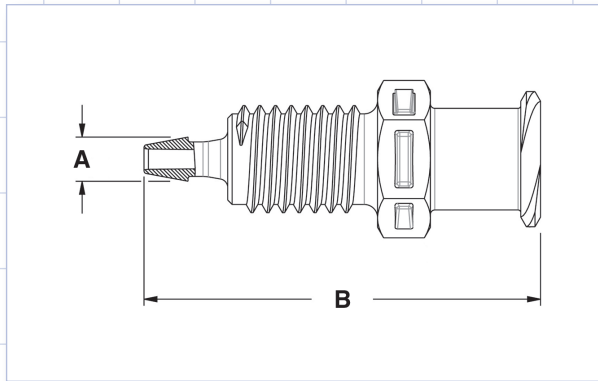


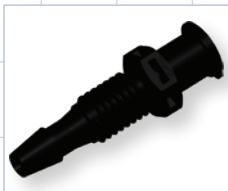
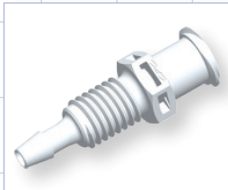
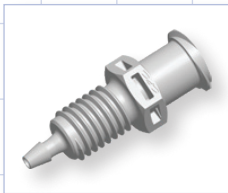
Male Luer Slip



Part Number	Description	Tubing Size	A	B	Material
PMLM21	Male Luer Slip to Panel Mount w/ Barb, Natural	Fits 1/16 inch ID Tubing (0.062 inch, 1.5 mm)	0.1 inch (2.5 mm)	1.16 inch (29.5 mm)	PP
PMLM2130	Male Luer Slip to Panel Mount w/ Barb, White	Fits 1/16 inch ID Tubing (0.062 inch, 1.5 mm)	0.1 inch (2.5 mm)	1.16 inch (29.5 mm)	Nylon
PMLM2131	Male Luer Slip to Panel Mount w/ Barb, Black	Fits 1/16 inch ID Tubing (0.062 inch, 1.5 mm)	0.1 inch (2.5 mm)	1.16 inch (29.5 mm)	Nylon
PMLM31	Male Luer Slip to Panel Mount w/ Barb, Natural	Fits 3/32 inch ID Tubing (0.093 inch, 2.4 mm)	0.14 inch (3.6 mm)	1.26 inch (32 mm)	PP
PMLM3130	Male Luer Slip to Panel Mount w/ Barb, White	Fits 3/32 inch ID Tubing (0.093 inch, 2.4 mm)	0.14 inch (3.6 mm)	1.26 inch (32 mm)	Nylon
PMLM3131	Male Luer Slip to Panel Mount w/ Barb, Black	Fits 3/32 inch ID Tubing (0.093 inch, 2.4 mm)	0.14 inch (3.6 mm)	1.26 inch (32 mm)	Nylon
PMLM41	Male Luer Slip to Panel Mount w/ Barb, Natural	Fits 1/8 inch ID Tubing (0.125 inch, 3.2 mm)	0.19 inch (4.8 mm)	1.36 inch (34.5 mm)	PP
PMLM4130	Male Luer Slip to Panel Mount w/ Barb, White	Fits 1/8 inch ID Tubing (0.125 inch, 3.2 mm)	0.19 inch (4.8 mm)	1.36 inch (34.5 mm)	Nylon
PMLM4131	Male Luer Slip to Panel Mount w/ Barb, Black	Fits 1/8 inch ID Tubing (0.125 inch, 3.2 mm)	0.19 inch (4.8 mm)	1.36 inch (34.5 mm)	Nylon



Female Luer Lock



Part Number	Description	Tubing Size	A	B	Material
PMLF21	Female Luer Lock to Panel Mount w/ Barb, Natural	Fits 1/16 inch ID Tubing (0.062 inch, 1.5 mm)	0.1 inch (2.5 mm)	0.9 inch (22.9 mm)	PP
PMLF2130	Female Luer Lock to Panel Mount w/ Barb, White	Fits 1/16 inch ID Tubing (0.062 inch, 1.5 mm)	0.1 inch (2.5 mm)	0.9 inch (22.9 mm)	Nylon
PMLF2131	Female Luer Lock to Panel Mount w/ Barb, Black	Fits 1/16 inch ID Tubing (0.062 inch, 1.5 mm)	0.1 inch (2.5 mm)	0.9 inch (22.9 mm)	Nylon
PMLF31	Female Luer Lock to Panel Mount w/ Barb, Natural	Fits 3/32 inch ID Tubing (0.093 inch, 2.4 mm)	0.14 inch (3.6 mm)	1 inch (25.4 mm)	PP
PMLF3130	Female Luer Lock to Panel Mount w/ Barb, White	Fits 3/32 inch ID Tubing (0.093 inch, 2.4 mm)	0.14 inch (3.6 mm)	1 inch (25.4 mm)	Nylon
PMLF3131	Female Luer Lock to Panel Mount w/ Barb, Black	Fits 3/32 inch ID Tubing (0.093 inch, 2.4 mm)	0.14 inch (3.6 mm)	1 inch (25.4 mm)	Nylon
PMLF41	Female Luer Lock to Panel Mount w/ Barb, Natural	Fits 1/8 inch ID Tubing (0.125 inch, 3.2 mm)	0.19 inch (4.8 mm)	1.1 inch (27.9 mm)	PP
PMLF4130	Female Luer Lock to Panel Mount w/ Barb, White	Fits 1/8 inch ID Tubing (0.125 inch, 3.2 mm)	0.19 inch (4.8 mm)	1.1 inch (27.9 mm)	Nylon
PMLF4131	Female Luer Lock to Panel Mount w/ Barb, Black	Fits 1/8 inch ID Tubing (0.125 inch, 3.2 mm)	0.19 inch (4.8 mm)	1.1 inch (27.9 mm)	Nylon

Panel Nut

Part Number	Description	Material
PMNUTSST	Panel Nut, 1/4-28 UNF	SS

Note:
Panel Mount Luers require a 1/4 inch diameter opening.