



Sanitary Flanges with Pre-Attached Gasket

0.5 inch/0.75 inch Mini

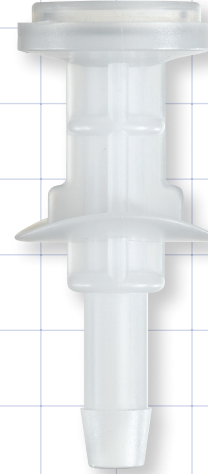


Male Luer Lock

**NEW!**

**51600**

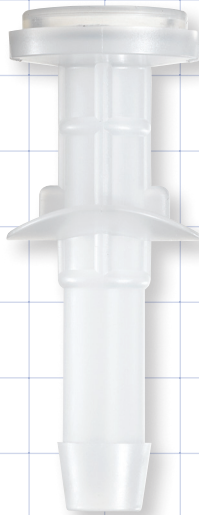
Fits 1/8 inch ID Tubing (0.125 inch; 3.2 mm)  
HDPE



**NEW!**

**51601**

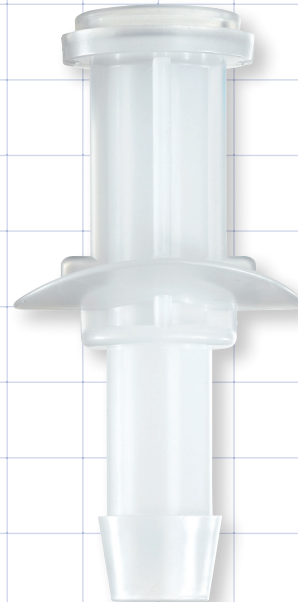
Fits 1/4 inch ID Tubing (0.25 inch; 6.35 mm)  
PP, Silicone



**NEW!**

**51602**

Fits 3/8 inch ID Tubing (0.375 inch; 9.5 mm)  
PP, Silicone



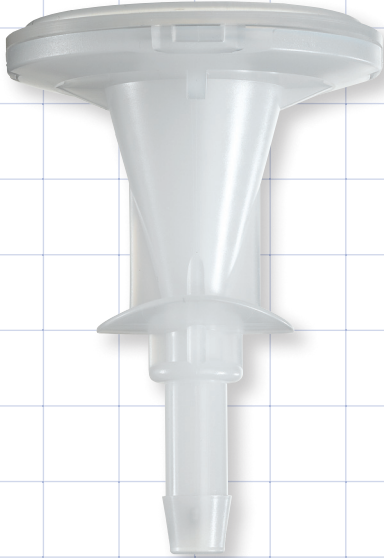
**NEW!**

**51603**

Fits 1/2 inch ID Tubing (0.5 inch; 12.7 mm)  
PP, Silicone



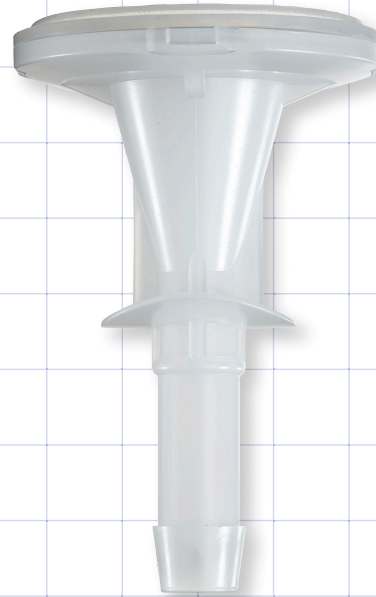
1 inch/1.5 inch Standard



**NEW!**

**51604**

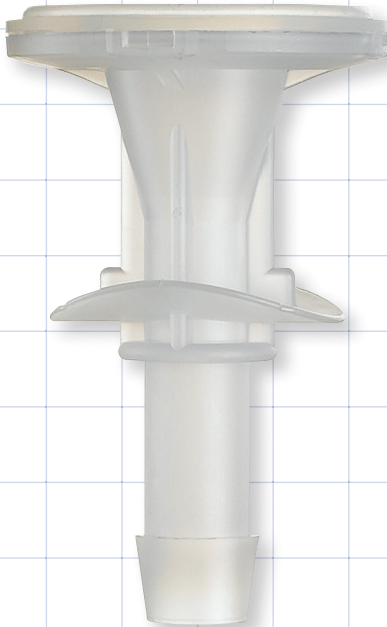
Fits 1/4 inch ID Tubing (0.25 inch; 6.35 mm)  
PP, Silicone



**NEW!**

**51605**

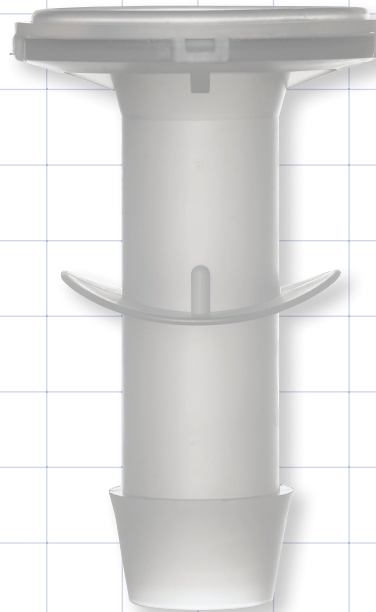
Fits 3/8 inch ID Tubing (0.375 inch; 9.5 mm)  
PP, Silicone



**NEW!**

**51606**

Fits 1/2 inch ID Tubing (0.5 inch; 12.7 mm)  
PP, Silicone



**NEW!**

**51607**

Fits 3/4 inch ID Tubing (0.75 inch; 19 mm)  
PP, Silicone



Sanitary Flanges with Pre-Attached Gasket

Ports & Flanges



Non Sterile

**NEW!**

**51608**

0.5 inch/0.75 inch Mini;  
4 inch x 4 inch Pouch  
Fits 3/8 inch ID Tubing  
(0.375 inch; 9.5 mm)  
PET/LLDPE, LDPE, Silicone



Non Sterile

**NEW!**

**51610**

3 inch x 4 inch Pouch  
Fits 1/8 inch ID Tubing (0.125 inch; 3.2 mm)  
Acrylic, HDPE, PET/LLDPE, LDPE, PP, PU,  
Radiation Stable PC, Silicone



Non Sterile

**NEW!**

**51609**

1 inch/1.5 inch Standard; 5 inch x 5 inch Pouch  
Fits 3/8 inch ID Tubing (0.375 inch; 9.5 mm)  
PET/LLDPE, LDPE, Silicone