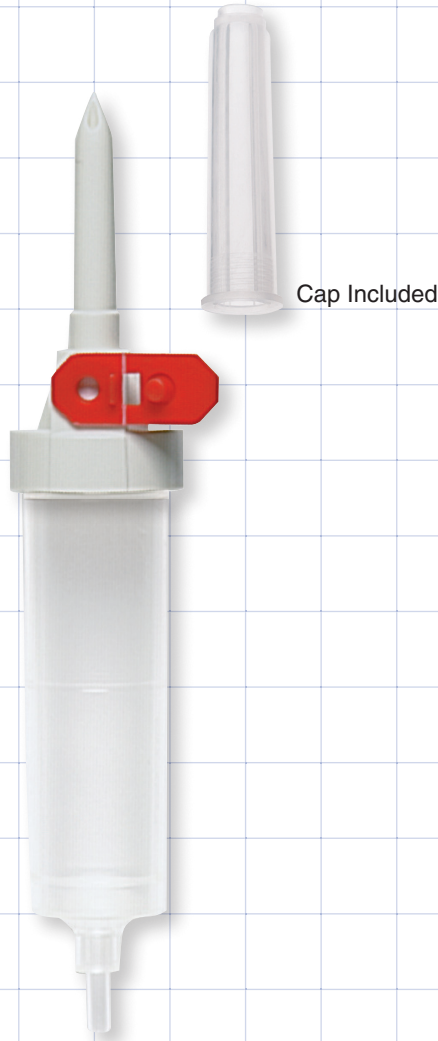


X1006
0.106 inch OD (2.7 mm)
20 Drops/ml
HDPE, PTFE, PVC

Also Available:	
X2011	15 Micron
X2012	25 Micron



43500
0.13 inch OD (3.3 mm)
20 Drops/ml
ABS, Hydrophobic Material, PE, PP, SB

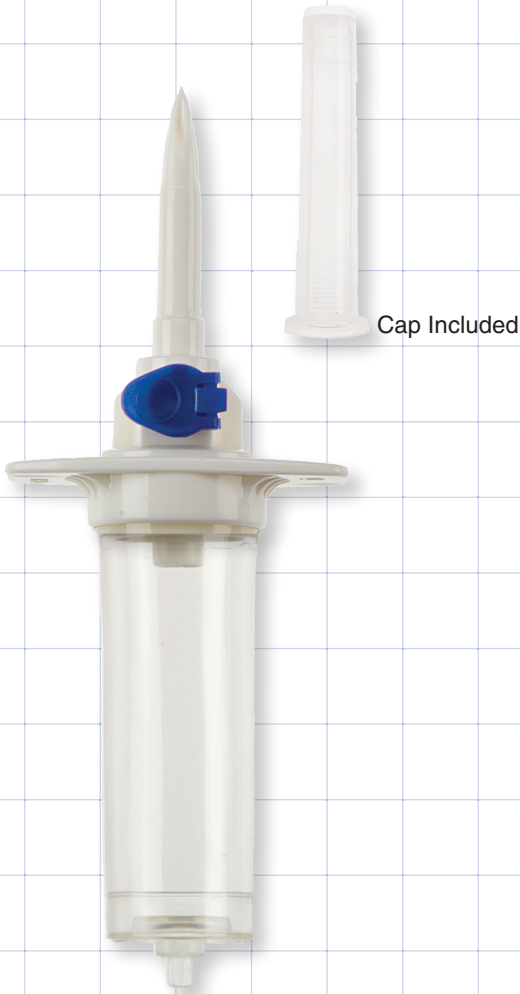


43523 **NEW!**
15 Micron
0.118 inch ID x 0.161 inch OD
(3 mm x 4.1 mm)
20 Drops/ml
ABS, HDPE, LDPE, Nylon, PP, PVC



Vented Spike Assemblies

Spikes

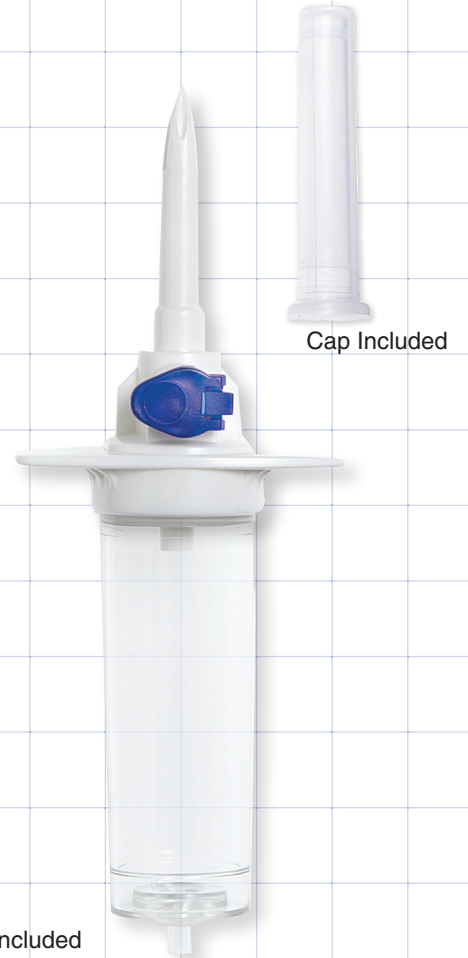


Cap Included

43517

0.125 inch OD (3.18 mm)
10 Drops/ml

ABS, Hydrophobic Material, LDPE, PP, PVC

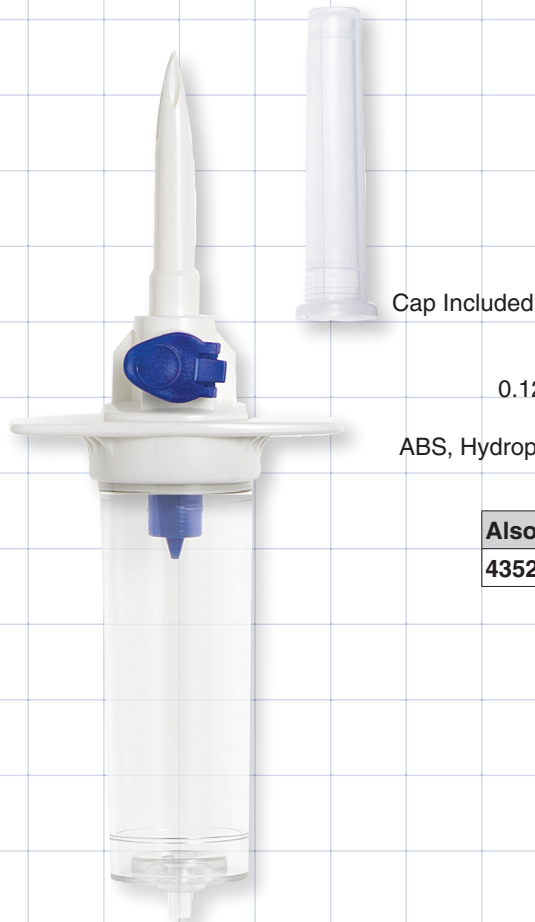


Cap Included

43519

0.125 inch OD (3.18 mm)
15 Drops/ml

ABS, Hydrophobic Material, LDPE, PP, PVC



Cap Included

43518

0.125 inch OD (3.18 mm)
60 Drops/ml

ABS, Hydrophobic Material, LDPE, PP, PVC

Also Available:

43520	20 Drops/ml
--------------	-------------